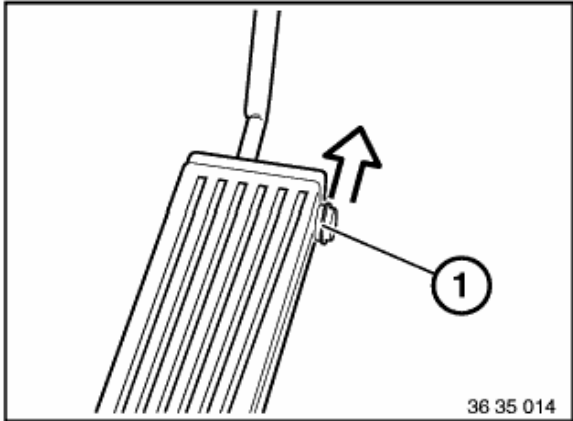


Caution!

A removed accelerator pedal must always be replaced as removing will damage the retaining clips. This would allow the pedal to slide out of its holder and could cause an accident!

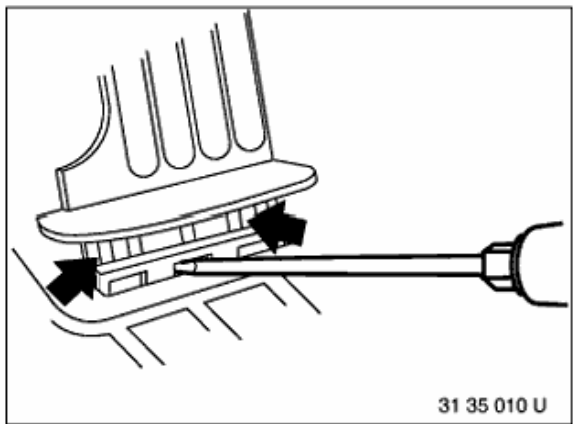


Press off locking washer (1).

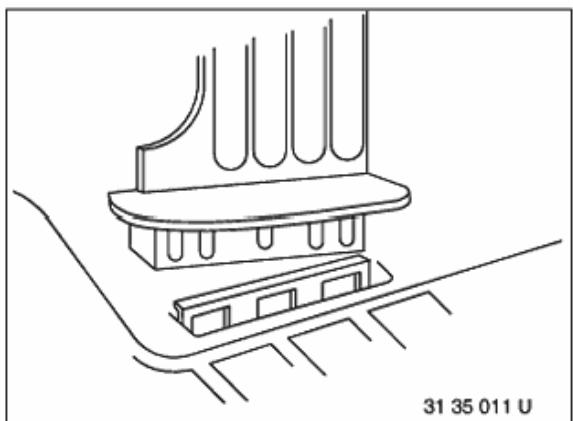
Disconnect pedal.

Installation:

Lubricate sliding surfaces with grease, see Technical Data.



Press down on carpet, unbend retaining clips and lever out accelerator pedal in upwards direction.

**Installation:**

Install accelerator pedal with pocket on holder on floor plate and snap retaining clips into place.

Caution!

To be absolutely sure, check that retaining clips have snapped into place.